



Class II • Type 2 • Type 1CA

Location of Use: Sub-Distribution Boards

Mode of Protection: L-PE, N-PE

Surge Ratings: $I_n = 20 \text{ kA}$ (8/20 μs)

IEC/EN/UL Category: Class II / Type 2 / Type 1CA

Protective Elements: High Energy MOV

Housing: Pluggable Design

Compliance: IEC 61643-11:2011

EN 61643-11:2012

■ Technical Data

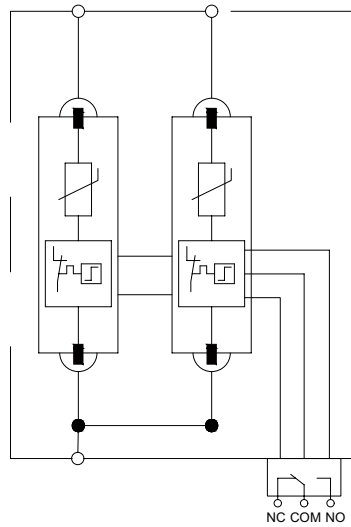
IEC Electrical		600			
Nominal AC Voltage	U_o / U_n	600V			
Maximum Continuous Operating Voltage (DC)	U_c	600V			
Nominal Discharge Current (8/20 μs)	I_n	20 kA			
Maximum Discharge Current (8/20 μs)	I_{max}	40 kA			
Impulse Discharge Current (10/350 μs)	I_{imp}	6.25kA			
Voltage Protection Level	U_p	2.2kV			
Impulse Current (10/350 μs) I_{imp} (L-N)		7kA			
Response Time	t_A	< 25 ns			
Back-Up Fuse (max)		125 A gL / gG			
Short-Circuit Current Rating (AC)	I_{SCCR}	25 kA / 50 kA			
TOV Withstand 5s	U_T	?			
TOV 120min	U_T	?			
	mode	Withstand	Safe Fail	Safe Fail	Safe Fail
Mechanical & Environmental					
Operating Temperature Range	T_a	-40°F to +158°F [-40°C to +70°C]			
Permissible Operating Humidity	RH	5%...95%			
Atmospheric pressure and altitude		80k Pa ... 106k Pa / -500 m.....2000 m			
Terminal Screw Torque	M_{max}	39.9 lbf·in [4.5 Nm]			
Conductor Cross Section (max)		2 AWG (Solid, Stranded) / 4 AWG (Flexible)			
		35 mm ² (Solid, Stranded) / 25 mm ² (Flexible)			
Mounting		35 mm DIN Rail, EN 60715			
Degree of Protection		IP 20 (built-in)			
Housing Material		Thermoplastic: Extinguishing Degree UL 94 V-0			
Thermal Protection		Yes			
Operating State / Fault Indication		Green ok / Red defect			
Remote Contacts (RC)		Optional			
RC Switching Capacity		AC: 250V / 0.5 A; DC: 250V / 0.1 A;125V / 0.2 A;75V / 0.5 A			
RC Conductor Cross Section (max)		16 AWG (Solid) / 1.5 mm ² (Solid)			

LY1-C40PV/2(S) 600V

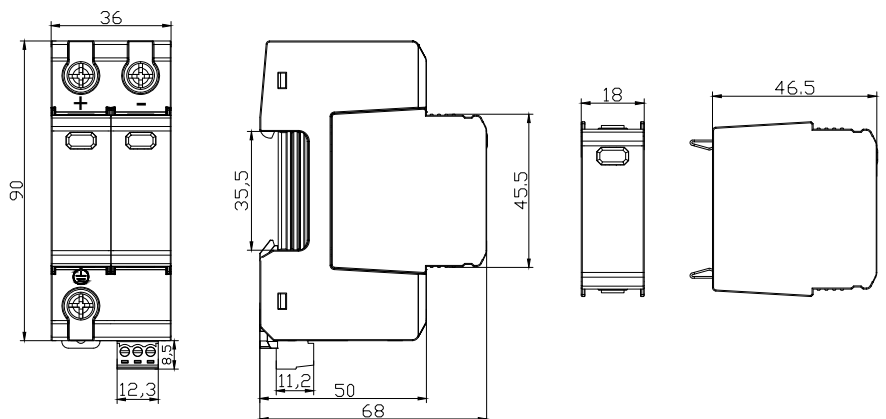
Pluggable Single-Pole SPD



Internal Configuration



Dimensions & Packaging



Connection Diagram

